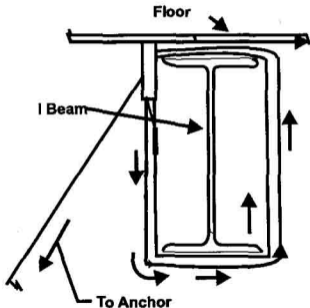


## Single Slot Buckle With Strap



### Enlarged View of Frame Beam

Place buckle at top of anchor side of beam, pass strap around beam and through buckle. Pass strap back around beam and through buckle to anchor. Strap will wrap beam twice. Remove all slack from system.