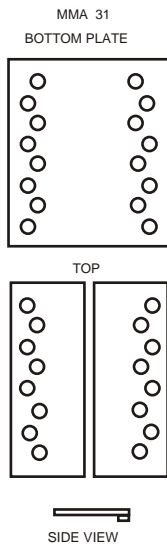
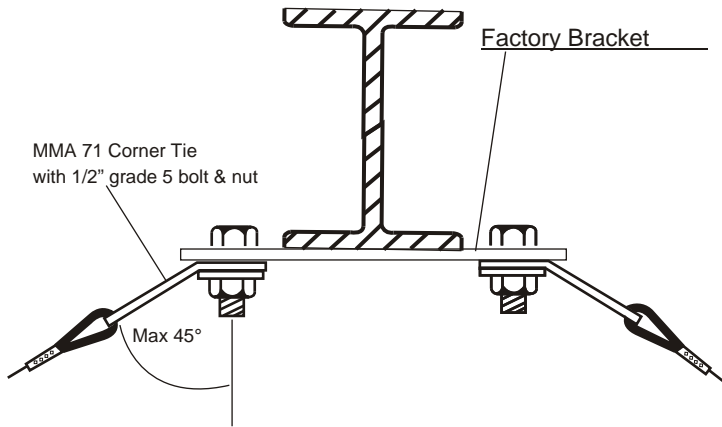
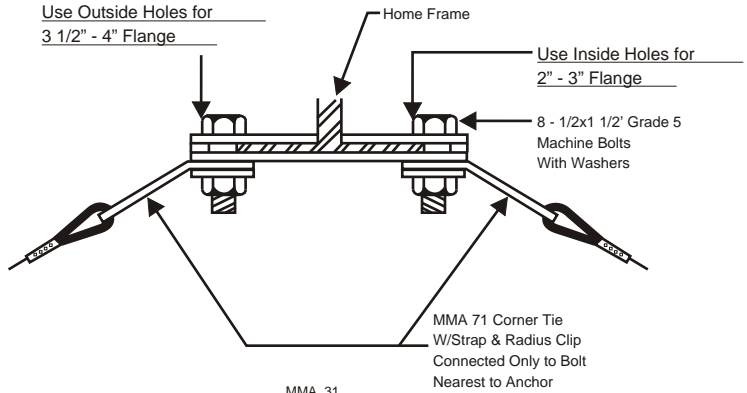
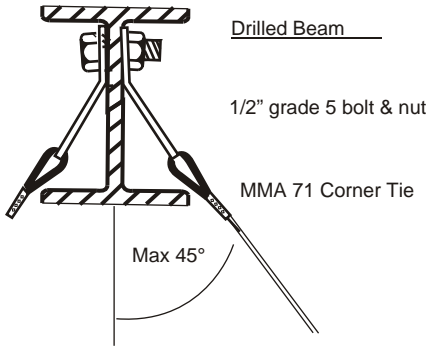


LONGITUDINAL FRAME TIE AND CLAMP (Florida Approved)



Longitudinal Anchoring Combinations

